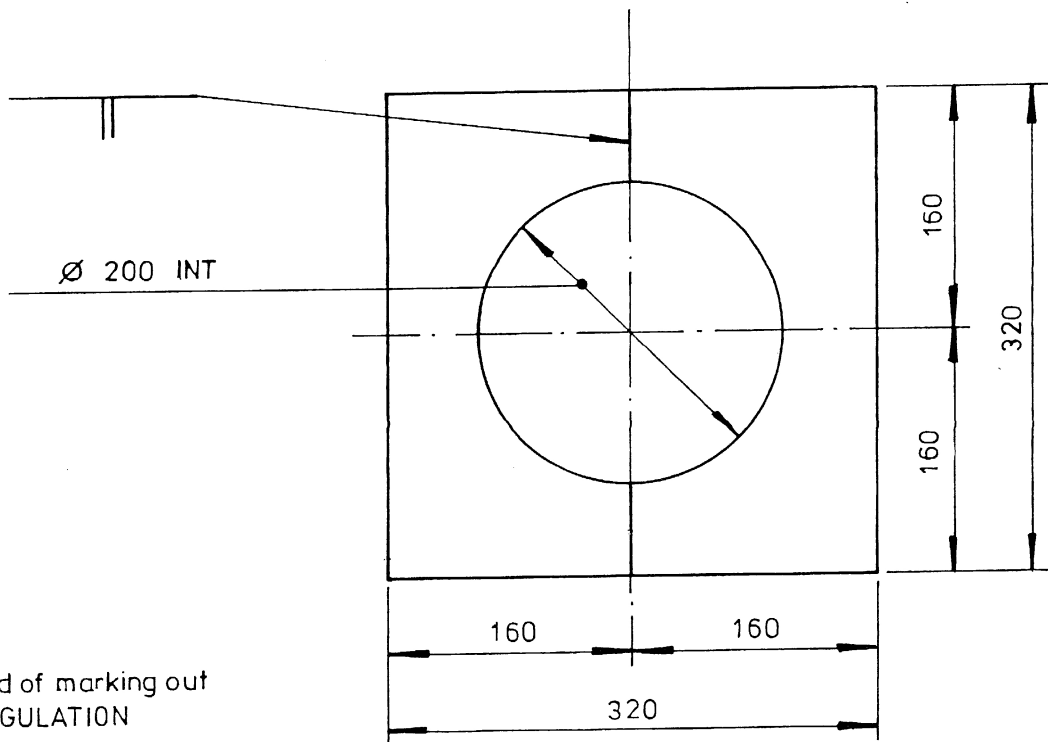
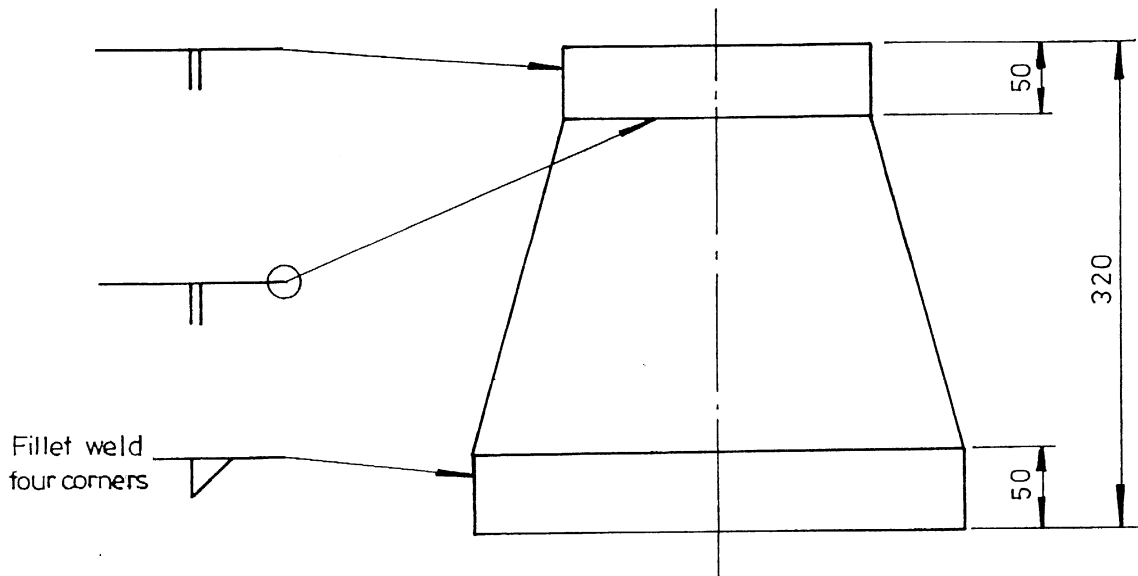


Level 3 Award, Diploma in Fabrication and Welding Practice

Unit 23: Advanced Fabrication Processes (General)

Drawing No.1 of 2



Not to Scale

Material	Tolerances	Title	Dimensions in
LCS 1.5mm - 3.0mm	± 2 mm	Transformer	mm