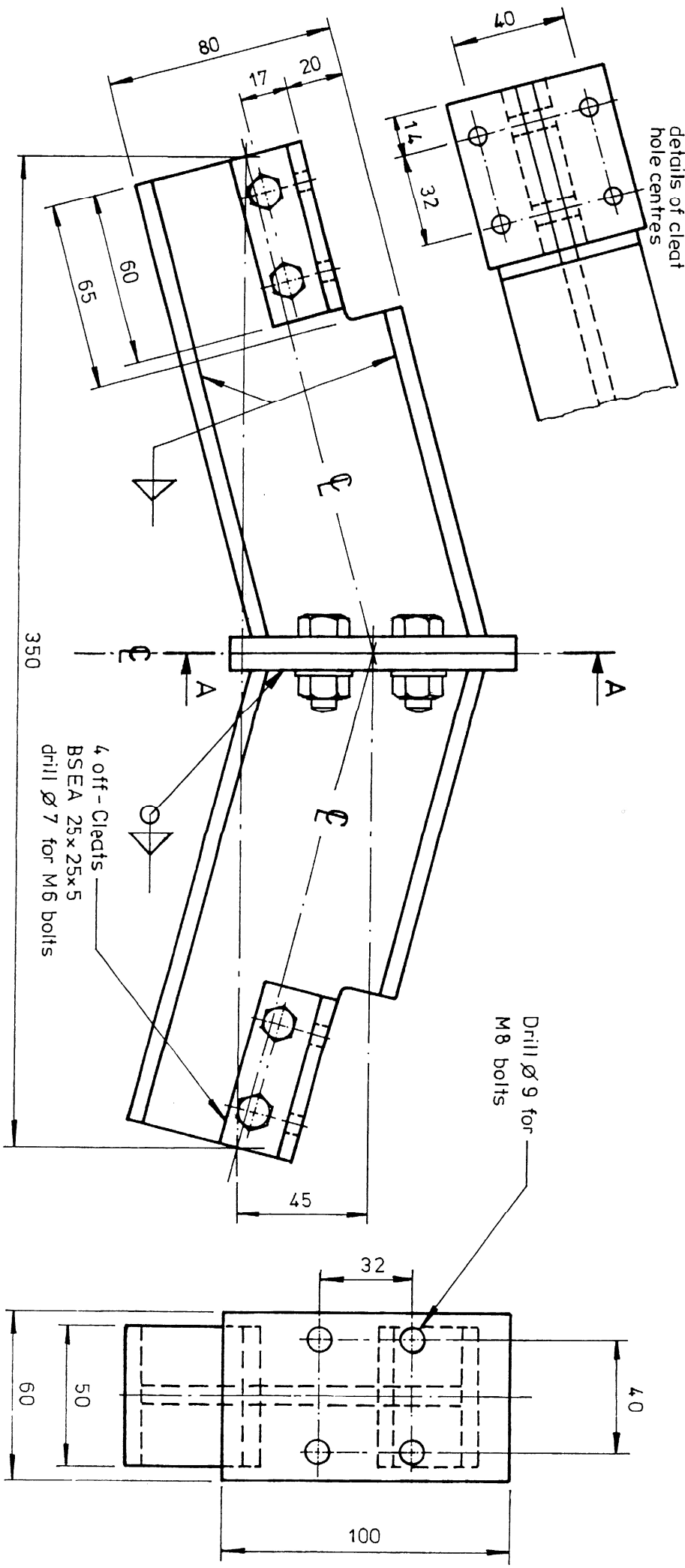


Level 3 Award, Certificate, Diploma
in Fabrication and Welding Practice

Unit 6: Fabrication Processes (General)

Aux. view to show
details of cleat
hole centres



Section A-A

Material : 6 mm L.C.S.
Tolerances ± 2 mm

All dimensions
in millimetres

BOLTED PORTAL FRAME APEX

Not to Scale