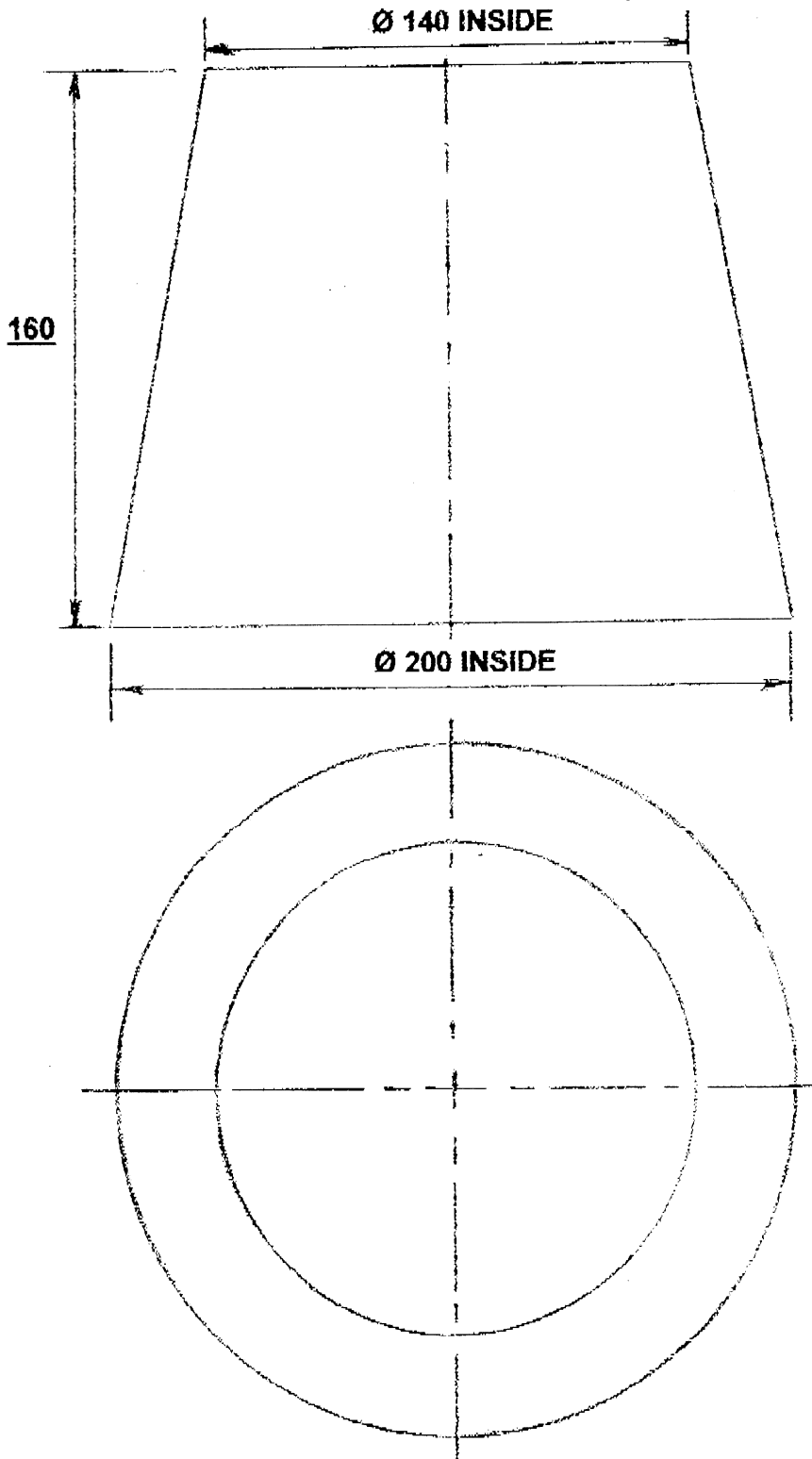


Level 3 Award, Certificate, Diploma in Fabrications and Welding Practice

Unit 7: Fabrication Processes (Sheet Metal)



1st Angle Projection

Not to
Scale

Material	Tolerances	Title	Dimensions in
3mm L.C.S.	$\pm 2.0\text{mm}$	Frustrum of a Cone	mm